



3VR-ATM/Teller Integration

A powerful tool that correlates surveillance video to ATM and teller transactions for the fastest investigations and dramatic fraud reduction.

3VR-ATM/Teller Integration Provides:

Powerful Searching

- Conduct faster searches for video and events by ATM receipt or teller data, reducing investigation time.

ATM Search Fields (sample)

The screenshot shows a search interface with a radio button for 'All' and a selected radio button for 'Specify:'. Below are several input fields: 'Account Number:', 'Account Type:', 'Amount:', 'Teller Id #:', 'Transaction #:' (with the value '1747681103'), and 'Transaction Type:'.

ATM Search Fields (sample)

ATM event: search results from search for ATM event by transaction number

The screenshot shows a search result card for a transaction. It includes a small video thumbnail of a man, the text 'Checking Withdraw', 'Acct# 5622522', 'Amt \$1,000.00', 'Trans# 1747681103', and 'ATM# 68'. At the bottom, it says 'ATM 1 (Face, Tranx, IP)' and '2:34:53 pm' with the label 'ATM Teller'.

ATM event: search results from search for ATM event by transaction number

- With 3VR SmartAnalytics™, perform powerful searches for faces associated with specific ATM/Teller transactions and then search for your suspect's face across multiple locations to see if the suspect has been involved in other suspicious or criminal activities.

Face similarity search results: suspect's face is found across different locations

The screenshot shows two side-by-side video thumbnails of a man's face. The left one is dated '5/12/2010' and labeled '2. Post St. ATM (Face, Tranx, IP) 5:23:21 pm Indexed'. The right one is dated '5/13/2010' and labeled '4. Daly City ATM (Face, IP) 2:33:21 pm Indexed'.

Face similarity search results: suspect's face is found across different locations

- 3VR SmartStorage™ stores ATM/Teller high quality video events 15 times longer than conventional video solutions, reducing storage costs and delivering years of searchable images.

3VR SmartStorage™: save and search through years of ATM/Teller events

System Storage	
Minimum Days of Video	30
Ext. Input/Alarm Storage (Days)	730
ATM Storage (Days)	730
Object Storage (Days)	730
License Plate Storage (Days)	730

3VR SmartStorage™: save and search through years of ATM/Teller events

Effortless and Secure Integration

- Obtain receipt data from your ATM or teller platform with minimal changes to your bank's IT infrastructure (see possible integration options on back).
- Integrate with common ATMs including NCR, Diebold, Wincor, and more. *With the optional software customization, you can:*
 - Remove confidential or unwanted data
 - Customize the appearance of transaction data
 - Customize searching with multiple data fields or ranges, and perform more targeted searches

Customized fields: searching by a range

The screenshot shows a search form with three fields: 'Account' with a 'Range' checkbox, 'Min. Amount' with the value '1000' and a checked 'Range' checkbox, and 'Max. Amount:'.

Customized fields: searching by a range



3VR offers the following three options for integrating ATM or teller data:

• The 3VR Diebold 91X Protocol Capture Plug-in:

How it works: The 3VR SmartRecorder™ captures ATM data by observing ATM-to-Host network traffic.

Attributes:

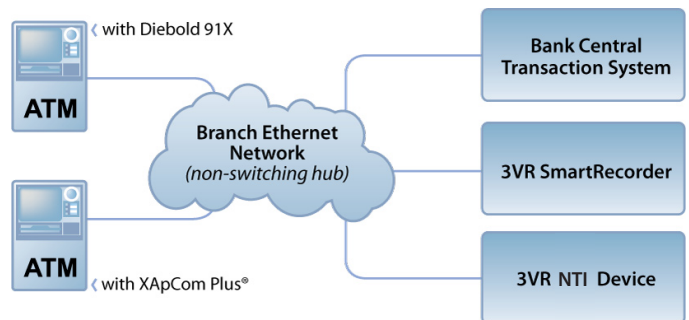
- ATM is running the Diebold 911/912 protocol
- ATM is connected over an Ethernet network
- No ATM configuration is needed
- Network configuration allows 3VR SmartRecorder to observe ATM-to-Host network traffic
- There is no end-to-end encryption from the ATM to the host
- Additional Ethernet drops required

• The 3VR Diebold XApCom Plus® Receiver Plug-in:

How it works: ATMs with XApCom Plus® are configured to send ATM data to the 3VR SmartRecorder™.

Attributes:

- ATM's have Diebold's XApCom Plus® application installed (XApCom Plus® is installed on all Diebold ATMs purchased after 6/09 or can be purchased)
- ATM is connected over an Ethernet network
- ATM requires the IP address of SmartRecorder
- Works even when encryption is enabled
- No network configuration is needed



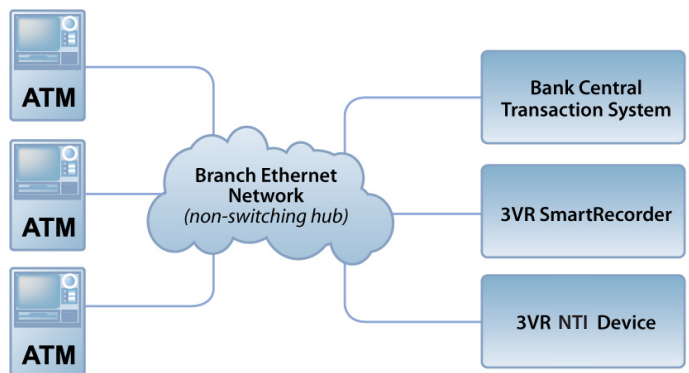
® XApCom is a registered trademark of Diebold Inc. and its subsidiaries in the United States or other countries.

• The 3VR Network Transaction Interface (NTI) Device with plug-in:

How it works: The NTI device (hardware) enables 3VR to capture ATM data by observing ATM-to-Host traffic.

Attributes:

- ATM is not Diebold-based (e.g. NCR and Wincor)
- Network configuration must allow 3VR SmartRecorder to observe ATM-to-Host network traffic
- NTI device requires a separate IP address
- 3VR offers the following options for integrating teller data: TCP/IP, NTI



Sample Configuration using the NTI device over an Ethernet Network